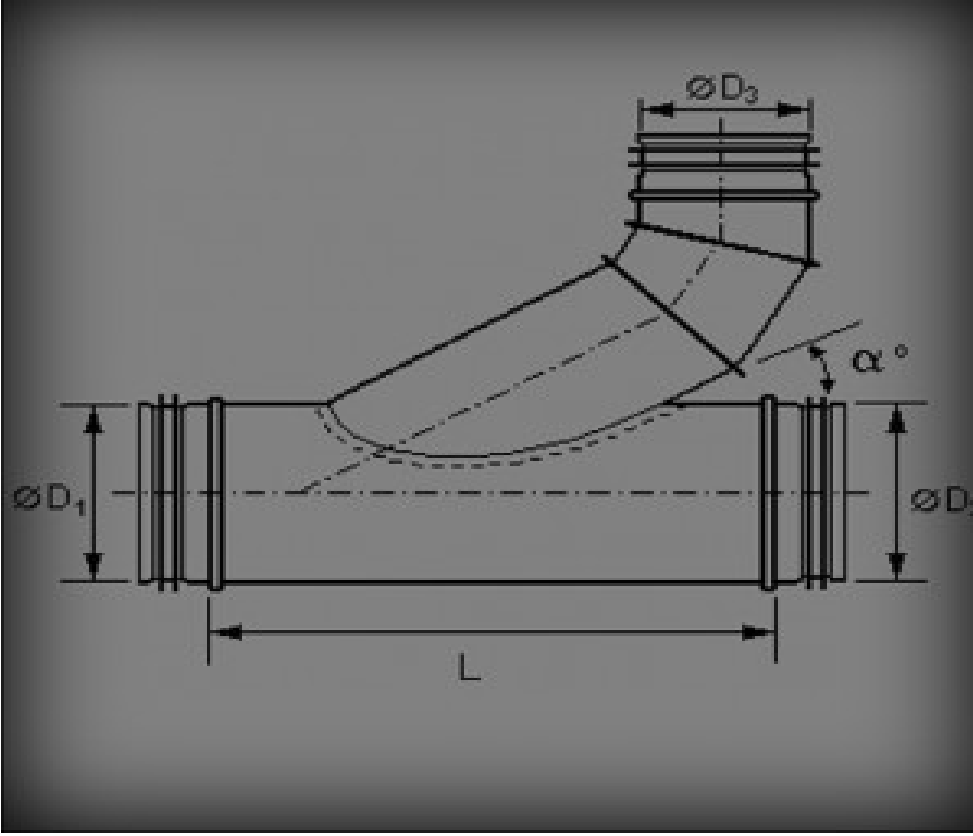


# AÇILI TE ANGLED TE



ÜRÜN KODU PRODUCT CODE	TİPİ TYPE
UAS – ED 10500	120 x 120 x 76 mm 45 ° TE 120 x 120 x 76 mm 45 ° ANGLE
UAS – ED 10502	140 x 120 x 76 mm 45 ° TE 140 x 120 x 76 mm 45 ° ANGLE
UAS – ED 10503	160 x 120 x 76 mm 45 ° TE 160 x 120 x 76 mm 45 ° ANGLE
UAS – ED 10504	180 x 120 x 76 mm 45 ° TE 180 x 120 x 76 mm 45 ° ANGLE